



Operating instructions for silencer GIS CSR9

! Failure to follow the installation and maintenance instructions described in this document can result in serious personal injury and damage to the weapon.

Before using the silencer, always make sure that it is in a good working condition, undamaged and clean! Most importantly, it is necessary to check the central hole of the silencer, which must be free and clean throughout the entire length of the silencer. In the case of even a partial blockage of this hole, serious damage can be caused both to the silencer and the weapon, and the life and health of the shooter and bystanders can be endangered. If you are not sure about the technical condition of the silencer, contact your dealer or manufacturer directly without delay.

Screw the silencer on the barrel muzzle. The silencers are manufactured with minimum production tolerances and, therefore, a new silencer may require greater force to be screwed onto the muzzle thread. For this reason, it is advisable to use a suitable lubricant.

After screwing and properly tightening the silencer on the muzzle thread, check the sighting-in!

The first test shot must be made at a short distance (up to 10 m) from the target area. Any contact of the projectile with any part of the silencer can fundamentally change its trajectory. Therefore, pay extra attention and be cautious when testing the silencer. In particular, and it is imperative that there are no bystanders or any personal present, in close range during the test.

Always, after firing about 30 shots, it is necessary to check the tightness of the silencer on the barrel and all its components. Use extra caution when removing the silencer from the weapon.

! ATTENTION

When firing the weapon, the entire surface of the silencer heats up intensely and can cause burns. First, make sure the weapon is discharged. If necessary, use protective gloves as protection against burns.

! WARNING

Only ever use the silencer on the weapon for which it is intended for use by the manufacturer, and for the correct caliber of ammunition for which it is made. The manufacturer accepts no liability for incorrect use of the silencer. The ammunition that can be used is described in the „Ammunition“ chapter of this manual.

Before attaching the silencer to the weapon, make sure that the weapon is unloaded and secured. Make sure that the silencer is correctly assembled and that the rear and front parts of the silencer are tightened.

Procedure for disassembling the silencer

The silencer is to be disassembled only after it is removed from the weapon! First, loosen the front face of the silencer with the enclosed wrench. Subsequently, it is possible to push the damping baffles out of the silencer body. In case of heavy pollution, it is possible to extrude the baffles by using a rod made of a soft material (wood, plastic, aluminum).



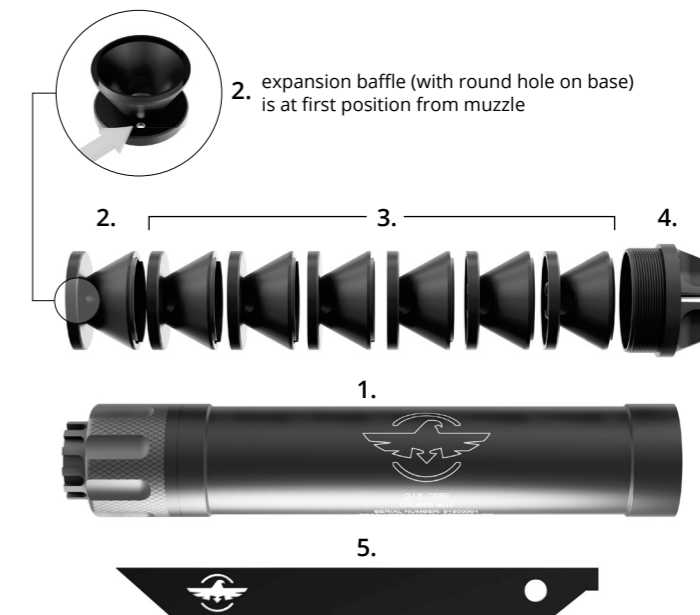
Reassembly of the silencer

The reassembly of the damper takes place in the reverse order, you just need to make sure that the expansion partition is placed first, away from the muzzle of the barrel.

The front face of the silencer must be properly tightened when it is used, as it holds the silencer baffles in the correct position to ensure the integrity of the entire silencer.

Description of silencer's parts:

1. silencer body
2. expansion baffle
3. baffles
4. front cap
5. cleaning & assembling tool



Assembly structure



Silencer cleaning

The internal components of the silencer are intensively clogged with combustion products during firing, and therefore **it is necessary to clean the silencer after firing up to 500 shots**. The more often is the silencer cleaned, the easier its cleaning becomes. The manufacturer therefore recommends cleaning the silencer after each use. Only in this way is it possible to guarantee its maximum efficiency and reliability of the weapon-silencer system. Do not use sharp tools when cleaning, as they may damage the surface protection of its components. It is advisable to use cleaning agents which dissolve combustion particles.

⚠ ATTENTION! Never use volatile substances for cleaning. Their use can cause a malfunction of the silencer and endanger human health and life.

After several dozen shots, it is usually no longer possible to clean the silencer using only a cloth and detergent, but it is necessary to mechanically remove the layer of fume deposits on all internal parts of the silencer. It is therefore advisable to use a suitable tool made of a hard material to remove this layer.

It is best to use the original „GIS cleaning tool“ to clean the inside of the silencer body and partitions. A wire brush with softer wires can be used to clean screw-threads and less soiled parts.

Before reassembling the silencer, make sure that all threaded connections are clean. It often happens that loose dirt gets into them during cleaning of other parts of the silencer. We recommend using round brass brushes for screw-thread cleaning (e.g., for barrel cleaning).

After cleaning, lubricate all screw-threads with a suitable lubricant. Do not use an unnecessarily large amount of lubricant. This would increase the amount of smoke produced by shot.

Silencer set



Possible faults and their elimination:

During the shooting, the shot begins to move downwards.

Tighten the silencer on the barrel screw-thread.

Cartridges are ejected out with varying intensity when firing, and the recoil force of the individual shots is also very different. This may cause occasional malfunctions.

1. Test ammunition from another production batch or brand.
2. Measure the muzzle velocity of used ammo. If it shows significant differences, stop using it.

The silencer cannot be disassembled after firing.

The screw-thread connection was not properly treated with a suitable lubricant before using the silencer or clogged with fumes.

1. Heat the silencer up to a temperature of approx. 50C and then try to disassemble it.
2. Soak the silencer in the oil with added additives for dissolving deposits. Then clean and treat it according to the instructions.

Ammunition

Use only subsonic bullets (bullets with a muzzle velocity lower than the speed of sound) for silencer shooting. The silencer suppresses only the noise of the shot, but not the sonic bang that occurs at the muzzle of the barrel, or the silencer when using supersonic ammunition. Therefore, the silencer is less effective when using supersonic ammunition. The use of supersonic ammunition when shooting with a silencer also, due to higher working pressures, puts more strain on the silencer design and thus shortens its service life.

The manufacturer strongly recommends the use of subsonic ammunition designed for the used weapon and silencer, manufactured according to NATO standards or according to CIP and SAAMI standards.

The silencer manufacturer accepts no liability for damage caused using ammunition other than the above.

GIS CSR9 silencers are designed for shooting in semi-auto shooting mode. They are not designed for burst shooting in fully automatic mode. When shooting in a fully automatic mode, it shortens the life of duralumin partitions. In case of their wear or destruction, the partitions can be replaced with new ones.

GIS CSR9 WB STEEL silencers are constructed for use under the toughest conditions. It is possible to use them at burst-fire and full auto mode.

Worn or damaged baffles are intended to be replaced with new ones.

For more information visit www.gis-silencers.com.